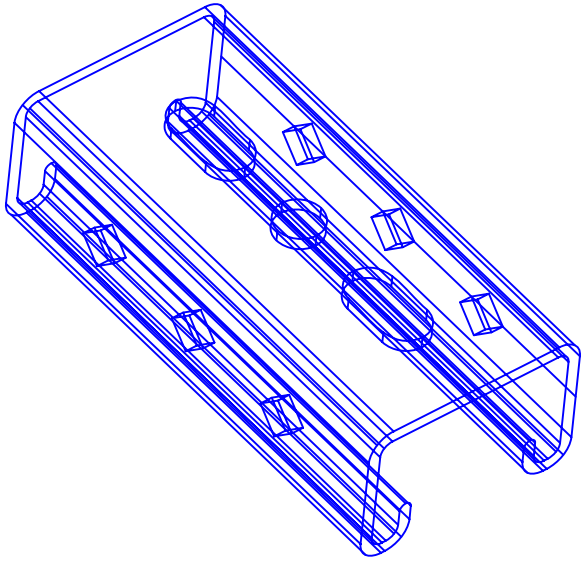


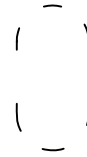
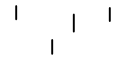
Date: October, 2007
 Project: Multi-view
 Drawing
 Project description:
 Draw a multi-view
 drawing.

Instructions:
 1. Draw over the intersections
 with a pencil to complete the
 drawing.



┌ ┌ ┌ ┌

┐ ┐ ┐ ┐



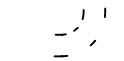
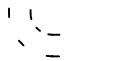
└ └ └ └

┘ ┘ ┘ ┘



┌ ┌ ┌ ┌

┐ ┐ ┐ ┐



┌



└



INSIGHT™
TECHNICAL EDUCATION

877-640-2256

For more information, visit our website
www.insightteched.com